

Moodspot RGBW Bracket

Technical specifications



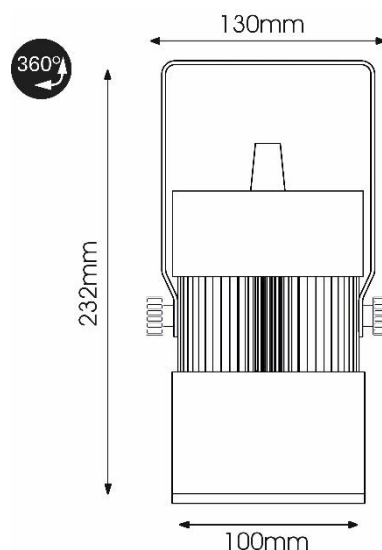
LED	Colour:	RGBW
	Colour temperature white	5500K
	Colour rendering:	75
	Colour variation:	3 MacAdam Ellipse
	Lumen output:	1350 lumen (full RGBW)
	Dimming range:	Smooth dimming to 0%
	Efficiency:	>90%
Power	Power supply:	48VDC IZI-Link
	Current:	750mA
	Consumption:	40 Watt
Miscellaneous	Material:	Aluminum (lens: PMMA)
	Lifespan:	> 50.000 hours
	Lenses:	13° / 20° / 35° / 45°
	Weight:	860 gram
	IP-Rating:	IP20
	Cable length:	300mm 2-core wire*
	Connection:	WAGO 770-252 / Winsta MIDI / 2-pole
Accessories	Accessories:	Snout / Honeycomb / Barndoors
	Connectors:	WAGO male & female / T-block
Version	Flange:	Black or white finish
Control	Driver:	Built-in IZI-link driver
	Control:	IZI-link system

*Other lengths are available on request

Dimensions

Overall dimensions: 130/100 x 222mm

Housing: Adjustable 360°



The Moodspot RGBW Bracket is a RGBW LED spot which alters the emotional experience of a certain space. Because of the RGBW LED technology the spot can create every thinkable colour, including white. With its **internal IZI-link LED driver** it can create vivid colours, the Moodspot is able to **dim flicker free** all the way down to 0%.

Features:

Smooth and flicker free dimming to 0%

RGBW – vivid colours

Extra White 5500K

Lifespan of 50.000+ hours

Warranty:

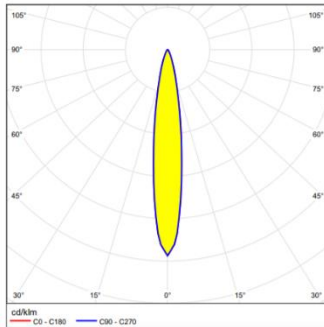
5 years

Certifications:

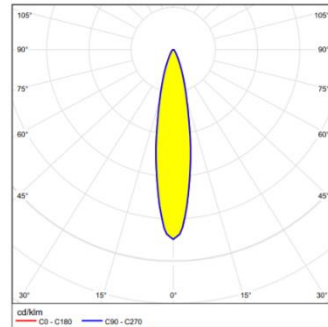


Photometric data

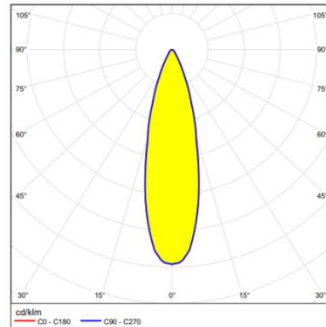
Polar chart 13° optic



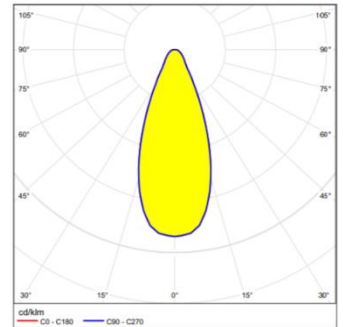
Polar chart 20° optic



Polar chart 35° optic



Polar chart 45° optic



Order code

Lenses

Lens 13°
Lens 20°
Lens 35°
Lens 45°

Black finish

MO.RGBW.B.B.13
MO.RGBW.B.B.20
MO.RGBW.B.B.35
MO.RGBW.B.B.45

White finish

MO.RGBW.B.W.13
MO.RGBW.B.W.20
MO.RGBW.B.W.35
MO.RGBW.B.W.45

Accessories

Snout HOU.MO.SN.BL
Honeycomb MO2.HC
Barndoors MO2.BD
WAGO female MO2.CON1
WAGO male MO2.CON5
T-block + male & female connector MO2.CON2
H-block + male & female connector MO2.CON4

Connection IZI-Link

simplified overview of the system. For more detailed information about the IZI-Link system visit our website.

The Moodspot RGBW Bracket LED spot is prepared with a two wired cable.



Red: 48VDC IZI-Link (+)

Black: 0V (-)

