

Moodspot RGBW Pendant

Technical specifications



LED	Colour:	RGBW
	Colour temperature white	5500K
	Colour rendering:	75
	Colour variation:	3 MacAdam Ellipse
	Lumen output:	1350 (full RGBW)
	Dimming range:	Smooth dimming to 0%
	Efficiency:	> 90%
Power	Power supply:	48VDC IZI-Link
	Current:	750mA
	Consumption:	40 Watt
Miscellaneous	Material:	Aluminum (lens: PMMA)
	Lifespan:	> 50.000 hours
	Lenses:	13° / 20° / 35° / 45°
	Weight:	1200 grams
	IP-Rating:	IP20
	Connection:	WAGO 770-252 / Winsta MIDI / 2-pole
	Pendant cord:	2-pole & integrated steel rope
	Pendant cord length:	2000mm (different length on request)
Accessories	Accessories:	Snout / Honeycomb / Barndoors
	Connectors:	WAGO male & female / T-block
Version	Flange:	Black finish
Control	Driver:	Built-in IZI-link driver
	Control:	IZI-link system

The Moodspot RGBW Pendant is a RGBW LED spot which alters the emotional experience of a certain space. Because of the RGBW LED technology the spot can create every thinkable colour, including white. With its **internal IZI-link LED driver** it can create vivid colours, the Moodspot is able to **dim flicker free** all the way down to 0%.

Features:

- Smooth and flicker free dimming to 0%
- RGBW – vivid colours
- Extra White 5500K
- Lifespan of 50.000+ hours

Warranty:

5 years

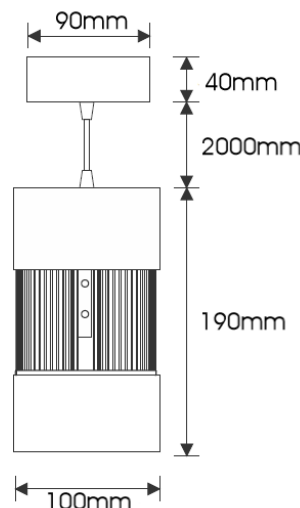
Certifications:



Dimensions

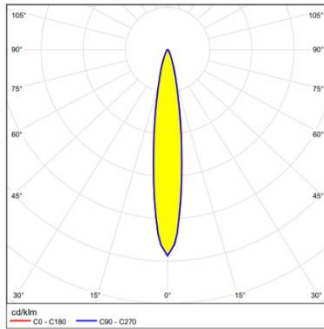
Overall dimensions:	100 x 190mm
Pendant cord:	2000mm*
Ceiling plate:	90 x 40mm

*Other lengths are available on request

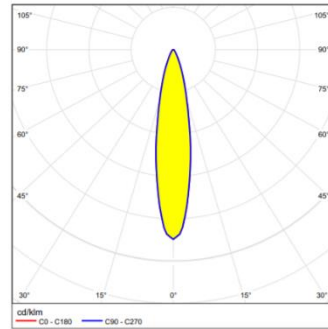


Photometric data

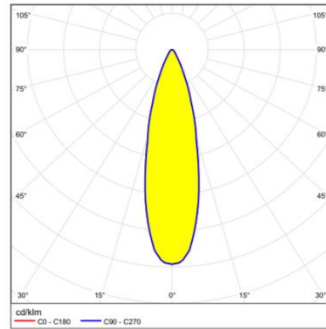
Polar chart 13° optic



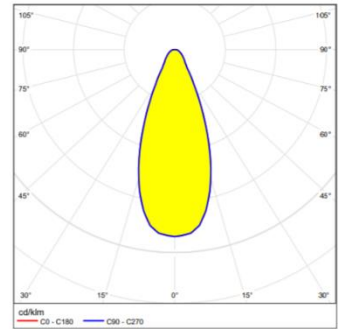
Polar chart 20° optic



Polar chart 35° optic



Polar chart 45° optic



Order code

Lenses

<i>Lens 13°</i>	MO.RGBW.P.B.13
<i>Lens 20°</i>	MO.RGBW.P.B.20
<i>Lens 35°</i>	MO.RGBW.P.B.35
<i>Lens 45°</i>	MO.RGBW.P.B.45

Black finish

Accessories

<i>Snout</i>	HOU.MO.SN.BL
<i>Honeycomb</i>	MO2.HC
<i>Barndoors</i>	MO2.BD
<i>WAGO female</i>	MO2.CON1
<i>WAGO male</i>	MO2.CON5
<i>T-block + male & female connector</i>	MO2.CON2
<i>H-block + male & female connector</i>	MO2.CON4

Connection IZI-Link

simplified overview of the system. For more detailed information about the IZI-Link system visit our website.

The Moodspot RGBW Bracket LED spot is prepared with a two wired cable.



Red: 48VDC IZI-Link (+)

Black: 0V (-)

