

REGULUS - RE.WD2720.L.W.A.4

24VDC recessed low-profile adjust & Lock warm-dimming LED-spot, White, IP20, 44°

Technical specifications

LED:	Colour:	2700K ~ 2000K (dim-to-warm)
	Colour rendering (CRI):	Ra: >90 / R9>50
	Colour variation:	3 MacAdam Elipse
	LED manufacturer:	Nichia
	Lumen output:	480lm
	Dimming range:	Smooth dimming to 0%
	Efficacy:	87.2lm/W
Power:	Voltage Input:	24VDC
	Current:	250mA max.
	Consumption:	5.5 Watt
Dimming:	24VDC PWM	Dimmable with external 24VDC PWM LED-driver as the TDE-lighttech LED-driver types: LC16SBE1 / LC16FN / LC16CM / LC12SB
Miscellaneous:	Housing:	Aluminum anodized
	Flange color:	RAL9010 Pure White (other colors on request)
	Lens:	PMMA
	Lifespan:	> 50.000 hour L80[10K]
	Beam Angle:	44°
	IP-Rating:	IP20
	Cable length:	300mm 2-core wire + braided sleeve (Halogen free)
	Connection:	WAGO 770-253 (Accessories 770-101 + 770-503) PIN-1 = +24VDC / PIN-3 = 0V
	Weight:	≤ 250 grams
Certifications:	Glow wire test:	2198667.01
	CE / RoHs	
Ordercode:	REGU-3205136	REWD2720LWA4 Regulus 24VDC recessed Low-profile adjust & Lock warm-dimming LED-spot, White, IP20, 44°



Photo shows black version

The Regulus RE.WD2720.L.W.A.4 is a **Low Profile Adjustable warm-dimming recessed spotlight** which alters the emotional experience of a certain space.

This **24VDC Constant Voltage Spotlight** is a LED fixture with built-in **current controlled LED control circuits** for long lifespan and uniform illumination.

It is **perfectly dimmable** with the TDE-range of **24VDC PWM LED-drivers**.

Features:

Warm-dimming downlight
2700K ~ 2000K CCT-Range
Perfect dimmable
24VDC power supply
IP20
Lifespan of 50.000+ hours

Warranty:

5 years

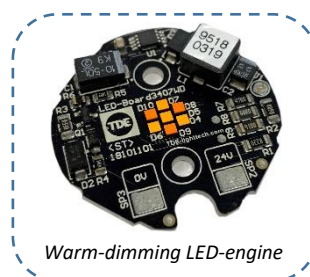
Certifications:



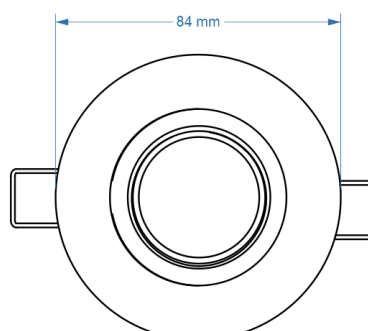
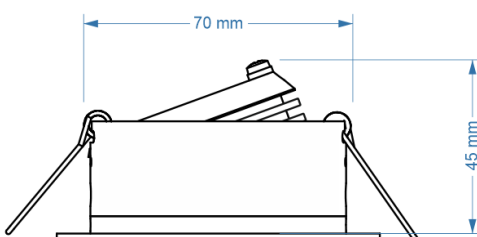
Dimensions

Overall dimensions:

Build in Height	45mm
Cut-out diameter:	70mm
Housing:	Adjustable (0...20°) downlight



Warm-dimming LED-engine



Dimming specifications

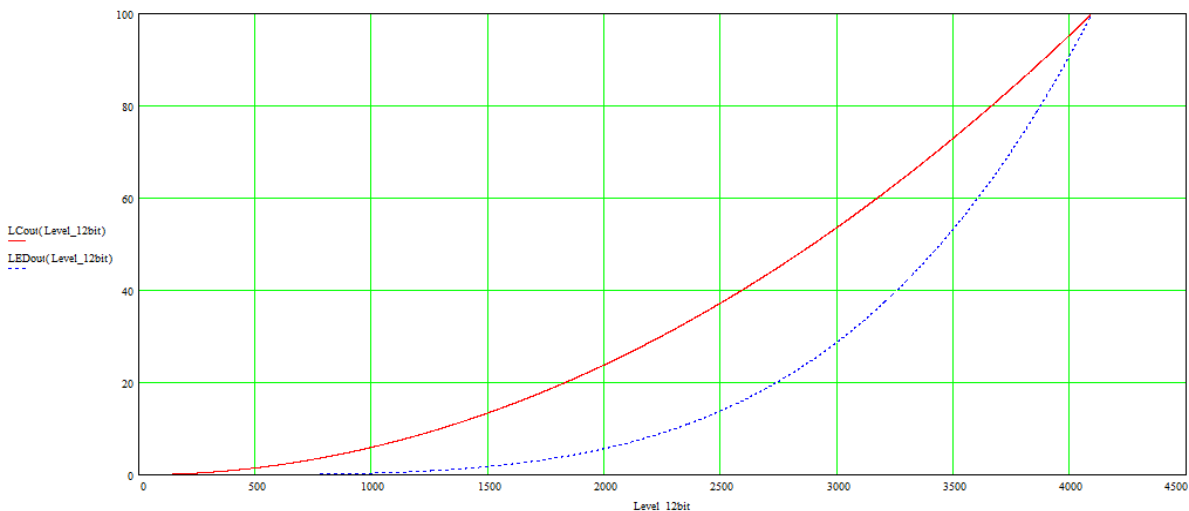
The dimming specifications below have been measured with the LC16SBE1 LED driver module.
The LC16SBE1 LED driver module is a 16 channel 24VDC constant voltage LED driver.
The default PWM frequency is set to 650 Hz and the default dimming curve is set to logarithmic.
The internal resolution is 16 bit, but the S-bus command set supports a dimming resolution of 12 bit.

- Dimming type: PWM (Constant voltage)
- Dimming range (%): 0.0 ~ 100% (graph-1)
- Dimming range (A): 0.0 ~ 250mA (graph-2)
- Dimming range (Lumen): 0.0 ~ 480lm (graph-3)
- PWM frequency: 650Hz default
Recommended PWM frequency range: 600 ~ 1000Hz

Dimming Curve:

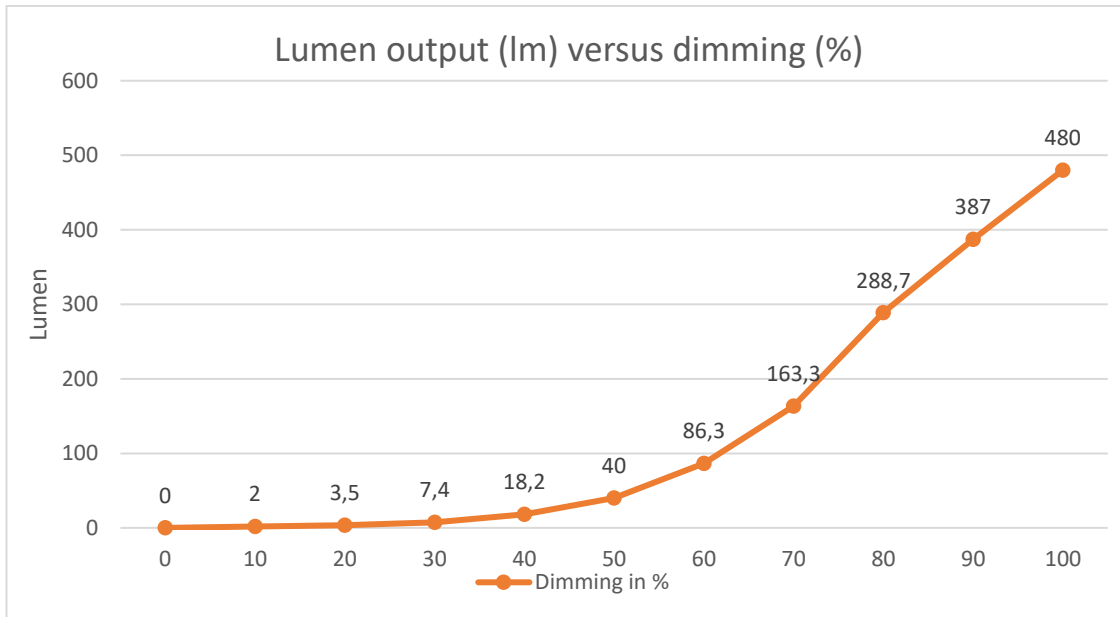
The dimming curve of the Regulus LED-spot is logarithmic, this is shown as the RED-curve in the graph below.
The dimming curve of the LC16SBE1 LED-driver is set to 'logarithmic' by default. In combination with the Regulus LED-spot, the dimming curve is shown as the BLUE-curve in the graph below.
If the dimming curve of the LC16SBE1 LED-driver is set to 'Linear', the dimming curve will be the RED-curve as shown in the graph below.

Graph-1:



Lumen output versus dimming curve:

Graph-2:



Power consumption versus dimming curve:

Graph-3:

