

## SIRIUS Cabinet Spotlight 24VDC CV type

<b>LED:</b>	Module type: Sirius	Colour temperature: 2700K
	Colour rendering: Ra >90 / R9 >50	Colour variation: 3 MacAdam Ellipse
	LED manufacturer: Nichia	Lumen output: 115lm
	Efficacy: 115lm/W	
<b>Power:</b>	Operating voltage: 24VDC (CLASS 2 Input only)	Current: 42mA
	Wattage: 1W	
<b>Miscellaneous:</b>	Housing: Aluminum, powder coated	Flange colour options: Sandy White / Sandy Black / Chrome
	Lens: PMMA	Lifespan: >50.000 hour L80[10K]
	Beam Angle: 18° (standard beam angle)	On request: 22° / 29° / 52° / 39+17°
	IP-rating: IP20	Connection: Open wires
	Cable length: 5000mm / 197"	Cable Type: 2x 0.34mm <sup>2</sup> (22AWG), Belden 5500UE
	Weight: 114 gram / 4.0 oz	
<b>Accessories:</b>	Mounting spring: 1 piece pre-mounted	
<b>Certifications:</b>	cMETus: E114112	CE / RoHs



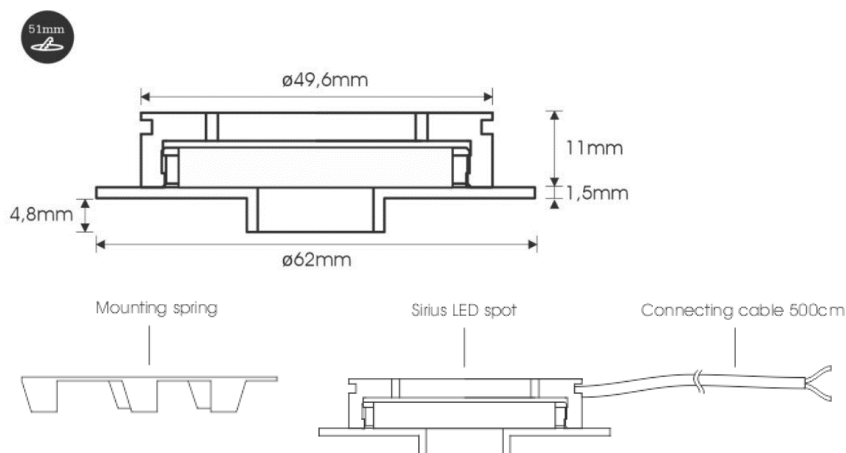
### Ordercodes:

<b>SIRI-6521318-B</b>	Sirius cabinet LED spot, CV, 2700K, 24VDC, 18°, <b>Chrome</b> , V2
<b>SIRI-6521119-B</b>	Sirius cabinet LED spot, CV, 2700K, 24VDC, 18°, <b>Sandy White</b> , V2
<b>SIRI-6521018-B</b>	Sirius cabinet LED spot, CV, 2700K, 24VDC, 18°, <b>Sandy Black</b> , V2
<b>SIRI-6531352</b>	Sirius cabinet LED spot, CV, 2700K, 24VDC, <b>52°</b> , <b>Chrome</b> , V2

*NOTE: The Sirius is also available as Constant Current model (350mA ~ 700mA)  
Please contact us for the possibilities and any user requirements*

### Dimensions

Length / height / width:	62 x 17.5 mm / 2.44" x 0.69"
Cut-out:	51 mm / 2.0" (Spring mounting)



The **Sirius** LED spotlight is a small, **high-quality solid-state recessed spotlight** with a **sleek design**.

The Sirius is powered by **24VDC** and can be **perfectly dimmed** with our **Constant Voltage (CV) LED-dimmers**.

The **built-in current-controlled driver circuits** ensure a **long lifespan** and **constant light output**.

Thanks to its **shallow installation depth**, the **Sirius** spotlight is particularly suitable as a recessed cabinet spotlight for **commercial** and **residential applications**.

### Features:

- Very shallow installation depth
- Very narrow beam options
- High efficacy
- High CRI and R9 value
- Perfect dimmable 100-0%
- Dimmable with external Constant Voltage PWM LED-driver as the IZI-LC6MK3 LED-driver

**Warranty:** 5 years

### Certifications:

