

Moodspot WRGB1465 LED-downlight

Technical specifications

| | | |
|-----------------------|---------------------|--|
| LED-engine: | Colour temperature: | 1400K~6500K / CCT-Tuning mode |
| | RGBW Colours mix: | RGBW tuning mode |
| | Colour rendering: | Ra > 90 / R9 > 80 (CCT @ 3000K) |
| | Colour variation: | 3 MacAdam Ellipse |
| | Lumen output: | 3000 lumen (3000K) |
| | Dimming range: | Smooth dimming to 0.0% |
| | User-mode: | CCT-tuning and Warm dimming |
| | Efficiency: | >90% |
| Power: | Power supply: | 48VDC IZI-Link system |
| | Current: | 750mA |
| | Consumption: | 34 Watt |
| Build-in | Control system | IZI-Link (48V powerline communications) |
| LED-driver: | Hybrid technology | Flicker-free and HD Camera proof |
| | PWM-frequency | 24kHz dynamic |
| Miscellaneous: | Beam-angle: | 25° / 40° / 60° |
| | Material: | Aluminum housing, PMMA reflector |
| | Lifespan: | > 50.000 hours L80 [10K] |
| | Weight: | 940 grams |
| | IP-Rating: | IP20 |
| | Cable length: | 300mm 2-core wire |
| | Connection: | WAGO 770-252 / Winsta MIDI / 2-pole |
| Accessories: | Diffuser plates: | Wide range of options available |
| | Accessories: | Snout / Honeycomb / Barndoors |
| | Connectors: | WAGO male & female / T-block |
| Versions: | Housings: | Recessed / Bracket / Pendant / Track |
| | Colours: | Black or white finish |
| Control: | IZI-Link: | Art-Net / sACN / DMX512 via the IZI-Link Power Line Communications system. More info @ www.tde-lighttech.nl |



The Moodspot WRGB1465 Adjustable Downlight is an Advanced Tunable White Downlight combined with full colour mix RGBW spectrum specially designed for houselights for Theater, auditorium and entertainment applications.

The Moodspot embraces the **Black Body Locus tracking WarmDimming and CCT-tuning** with perfect whites down to **1400K** and dims **flicker-free to 0%**.

The internal **IZI-Link Hybrid LED driver** has built-in **advanced user modes** for seamless switching between **Warm-Dimming, Advance Tunable White and RGBW modes**.

Features:

Advance Tunable White 1400K~6500K CCT-range and full RGBW colour mix

Perfect white colours by tracking the Black Body Locus (ATW)

Selectable WRGB User modes

Smooth and flicker-free dimming to 0.0%

High CRI and R9 values

High output up to 3000 lumen

(HD) Camera proof

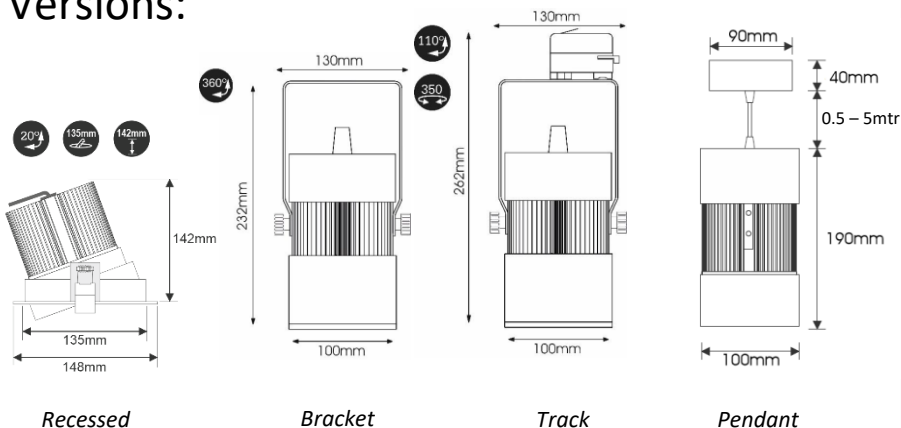
No data wiring needed because of the IZI-Link Power Line Communication system

Lifespan > 50.000+ hours

Warranty: 5 years



Versions:



Moodspot WRGB user modes

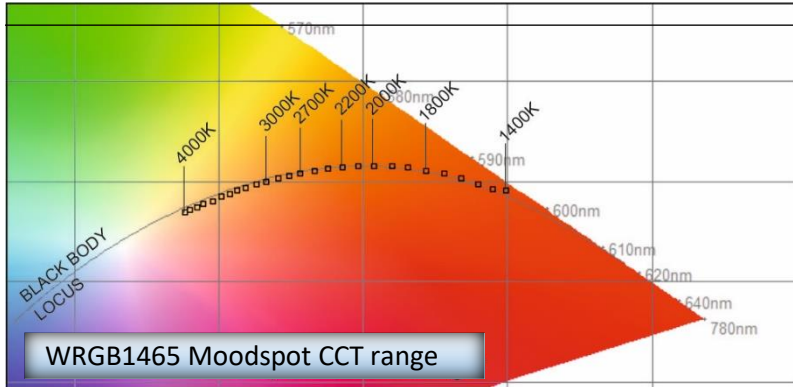
| | | DMX-channels: | | | | | | | CCT/Color range: | |
|--------------------------|------------------------|---------------|-----|---|---|-------|---------|---------|---|--|
| Mode-name: | | 1 | 2 | 3 | 4 | 5 | 6 | 7 | | |
| M1 | Master RGBW | Master | R | G | B | W | - | - | RGBW | |
| M2 | RGBW | R | G | B | W | - | - | - | RGBW | |
| M3 | TrueTW | Level | CCT | - | - | - | - | - | 1400-4000K or 1400-6500K ⁽¹⁾ | |
| M4 | TrueWD | Level | - | - | - | - | - | - | 1400-3000K | |
| M5 | Dynamic Auto6 | Master | CCT | R | G | B | W | - | 1400-4000K or 1400-6500K ⁽¹⁾ | |
| M6 ⁽²⁾ | Dynamic Select6 | Master | R | G | B | W/CCT | Control | - | 1400-4000K or 1400-6500K ⁽¹⁾ | |
| M7 | Dynamic Select7 | Master | CCT | R | G | B | W | Control | 1400-4000K or 1400-6500K ⁽¹⁾ | |

⁽¹⁾ CCT-range can be configured by IZI-Manager
⁽²⁾ Default factory setting

Mode M6/M7 Control channel:

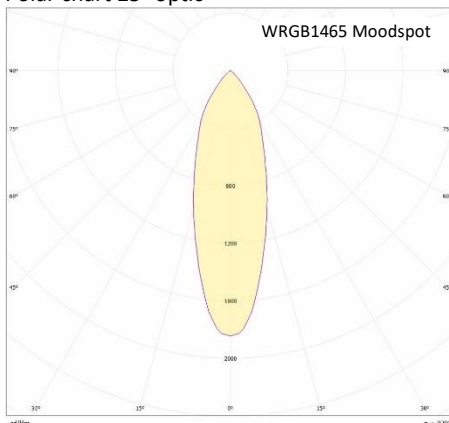
| DMX-value: | Mode: | CCT/Color range: | |
|----------------|--------------------|-------------------------|---|
| 0-80 | TrueWD | 1400-3000K | <i>Warm Dimming with Black Body Locus Tracking</i> |
| 90-160 | TrueTW | 1400-4000K / 1400-6500K | <i>Tunable White with Black Body Locus Tracking</i> |
| 170-255 | Master RGBW | RGBW | <i>Full RGBW colour spectrum</i> |

CCT-Tuning / Black body locus

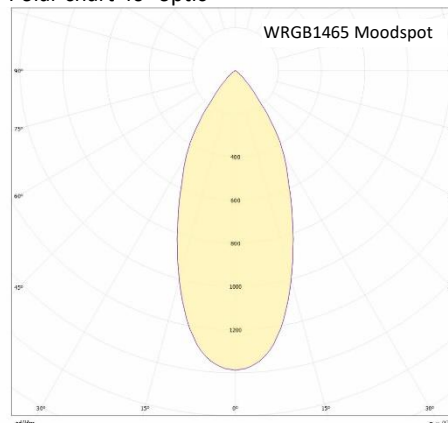


Photometric data

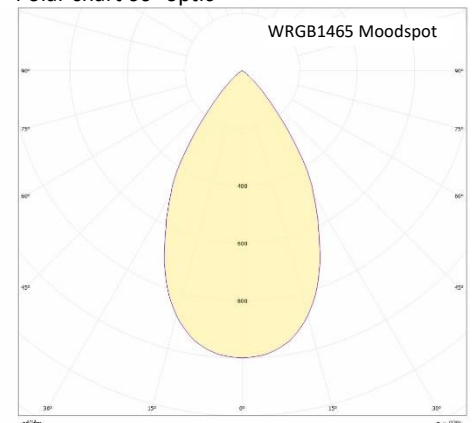
Polar chart 25° optic



Polar chart 40° optic



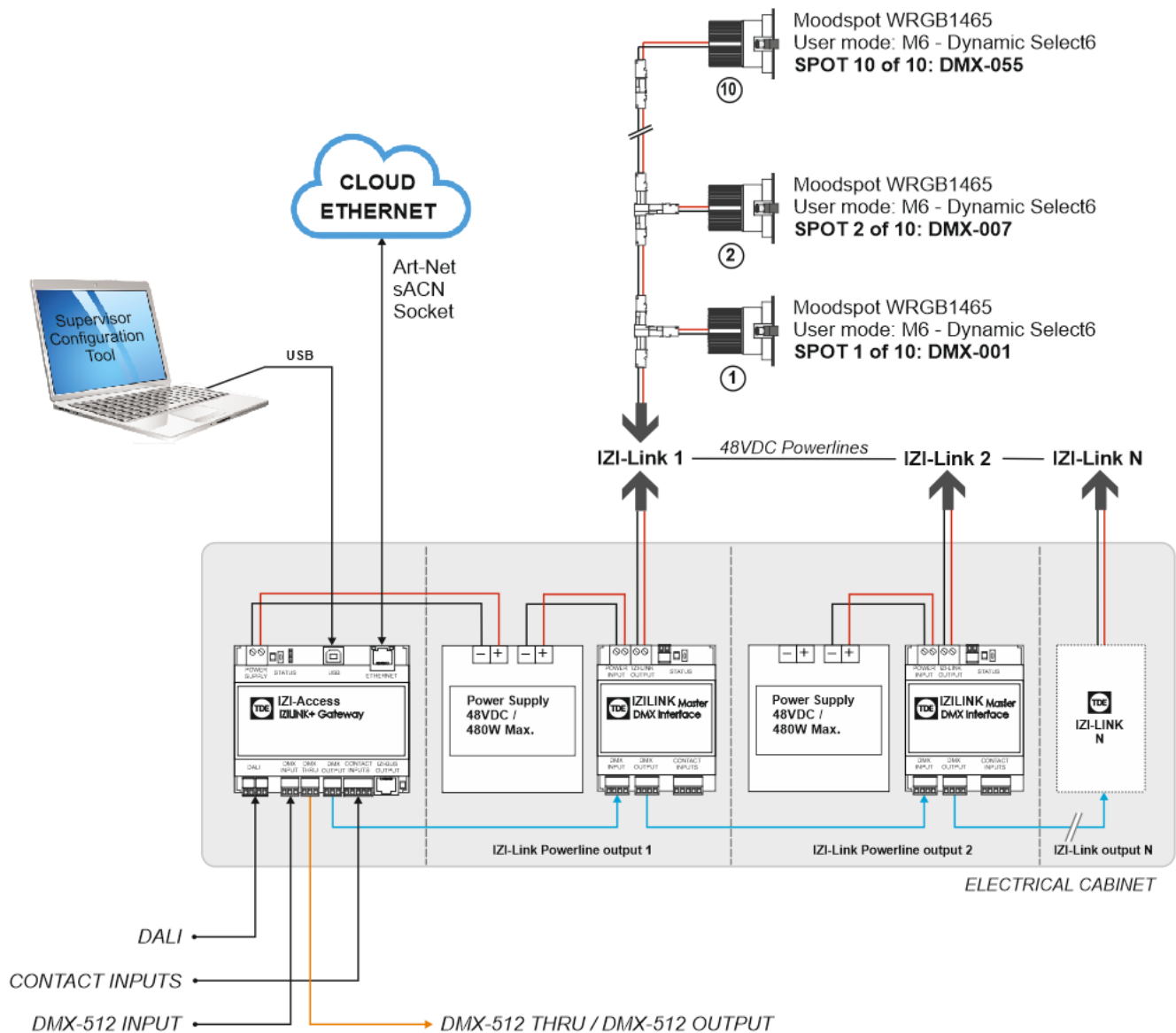
Polar chart 60° optic



IZI-Link Powerline communication system

A **unique feature** of the Moodspot series of products is the integrated **IZI-Link Powerline communication system**. With this IZI-Link system **no data-wiring is required** for commissioning and controlling the luminaires in a lighting system. All communication takes place via the IZI-Link low-voltage 48VDC Powerline communication system in which each luminaire can be addressed and controlled individually.

Below is an example of a simplified IZI-Link lighting system setup:



The heart of the IZI-Link light system is the IZI-Access which acts as a gateway to connect your DMX source (via Ethernet or hardwired) to the IZI-Link system. For each IZI-Link powerline output a 48VDC power supply and an IZI-Link DMX-interface is required as shown in the image here above. The maximum power of a single IZI-Link powerline is 480Watts. If the total power of connected luminaires exceeds 480Watts, multiple IZI-Link powerline supplies and DMX-interfaces must be added to power the entire IZI-Link lighting system.

In the example above, 10 Moodspot WRGB1465 luminaires are connected to the first IZI-Link 1 powerline output. All spots are individually addressed with the user-mode set to 'Dynamic Select6' to obtain the most out of the features of the WRGB1465 Moodspots.

Please visit our website for further information about our IZI-Link system: www.tde-lighttech.com

Moodspot and IZI-Link Connections

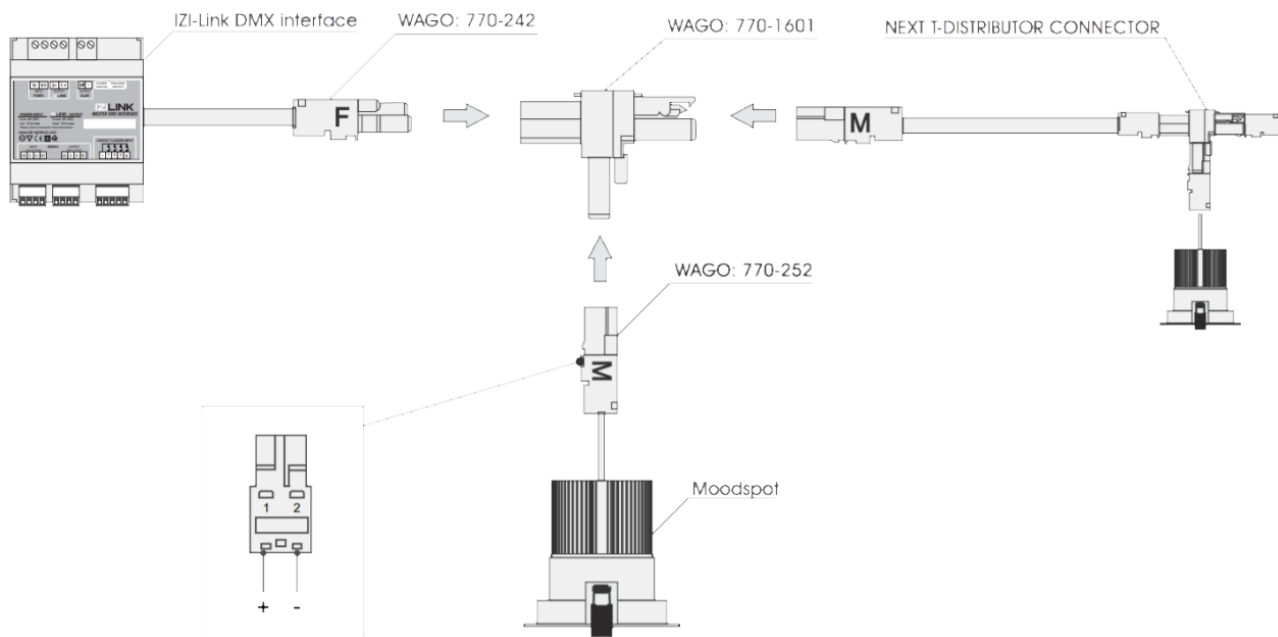
The Moodspot WRGB1465 Downlight LED spot is supplied as standard with a 300mm 2-core connection cable with mounted WAGO 770-242 connector for connection to the IZI-Link system.

WAGO H + T-splitters parts are available for wiring the IZI-Link system and connecting the Moodspot fixtures to each other. For the IZI-Link wiring, we recommend a minimum wire size of 2.5 mm² to minimize voltage losses across the cable.

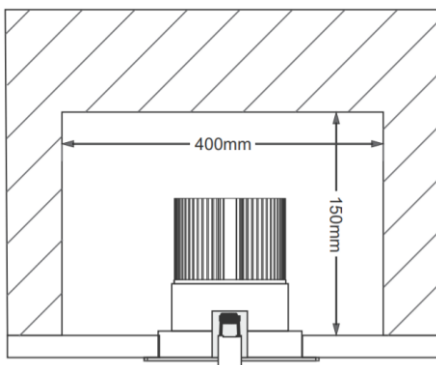


Red: 48VDC IZI-Link (+)

Black: 0V (-)

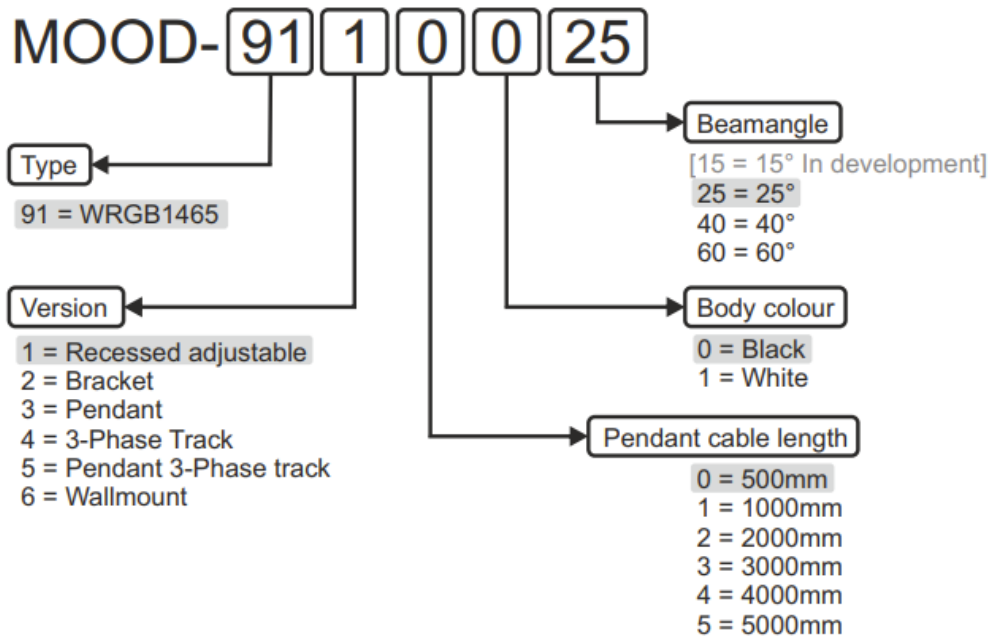


Minimum spacing recessed version



Luminaire not suitable for covering with thermal insulating materials. Allow air to flow freely around the fixture.

Moodspot WRGB1465 ordercodes:



WRGB1465 Moodspot ACCESSOIRES:

MOOD-0100015 Reflector 74mm 15° [In development]
MOOD-0100025 Reflector 74mm 25°
MOOD-0100040 Reflector 74mm 40°
MOOD-0100060 Reflector 74mm 60°

MOOD-0200005 Reflector Cover plate Clear
MOOD-0200010 Reflector Cover plate Diffuse

MOOD-0200015 Reflector Cover plate Diffuse small Hexagonal structures
MOOD-0200020 Reflector Cover plate Diffuse medium Hexagonal structures
MOOD-0200025 Reflector Cover plate Diffuse large Hexagonal structures
MOOD-0200030 Reflector Cover plate linear textures for Oval Lighting

MOOD-0000000 Barndoor black
MOOD-0000005 Honeycomb black

WAGO=3010155 T-distributor 2-pole (770-1601)
WAGO=3010160 H-distributor 2-pole (770-1680)
WAGO=3010165 2-pole Female connector (770-242)
WAGO=3010170 2-pole Male connector (770-252)
WAGO=3010180 Strain relief 2-pole connector (770-502)

TDE-lighttech has a wide range of Moodspots and IZI-Link products.
Consult our website or contact our dealers for further information.

TDE-lighttech B.V.
Tankval 5
2408 ZC Alphen aan den Rijn
The Netherlands
Tel: +31(0)206973849
E-mail: info@tde-lighttech.nl
Website: www.tde-lighttech.com